

GPCK-MB  
Small-Sized Recessed-Ceiling Motorized Projector Lift

**GPCK series**  
Recessed-Ceiling  
Motorized Projector Lift

GPCK-MB1800

GPCK-MB1000

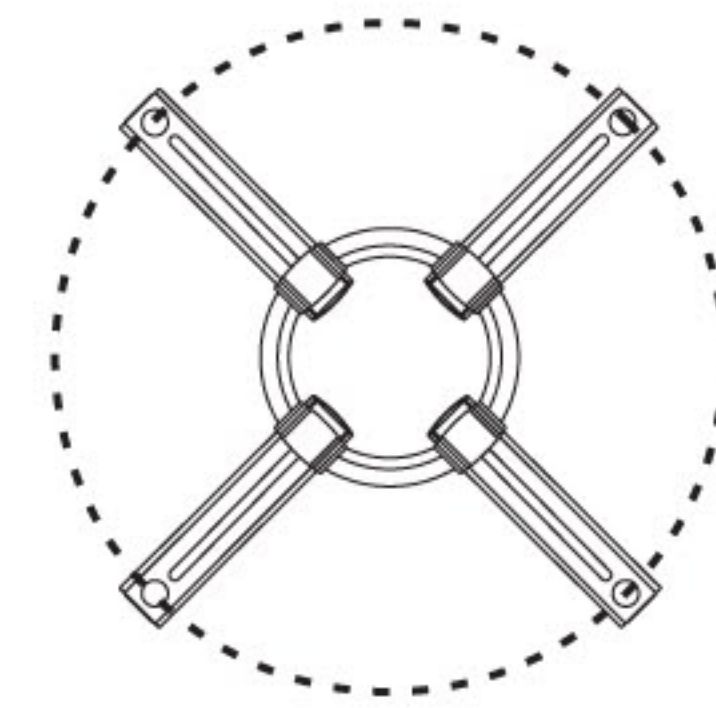
- ☒ The distance between roof and ceiling need to be larger than 470mm
- ☒ Double Positioning
- ☒ Automatic Balancing Mechanism
- ☒ Brake Mechanism
- ☒ High-Strength Sheet Metal Linkage
- ☒ Ornament Baffle
- ☒ Cable Management
- ☒ Control System
  
- ☒ Maximum Weight Capacity: 1.2KG
- ☒ Standard Accessories :
  - FR Wireless Emitter (1pc)
  - Internal VGA, Video Leads
- ☒ Control System :
  - FR Remote Control,
  - RS232/485, Wall-Switch

Scope for installation (Installation hole of projector):

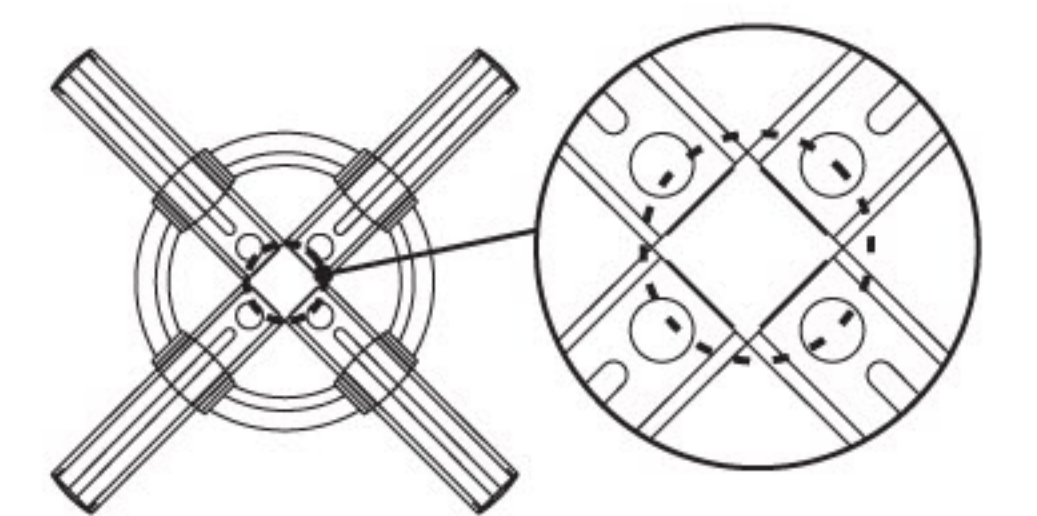
Maximum scope for installation: 345mm diameter

Minimum scope for installation: 45mm diameter

Note: Connect the installation arms to the projector conversely for different installation holes of projector.



Maximum diameter: 345mm



Minimum diameter: 45mm

(unit:mm)

Model	Size							Suitable Size for Projectors		
	A	B	C	D	E	F	G	H1	H2	H3
GPCK-MB1800	510	510	110	360~1800	520	520	200	147	400	400
GPCK-MB1000	510	510	110	360~1000	520	520	200	147	400	400

If need more information, please browse :  
<http://www.grandview.com.cn>

